

The power behind your lights



Model: JLV-12360K

Size: 215*114*49mm



Brief Information



360W

Power Supply (C.V.)

Model JLV-12360K / JLV-24360K

Input 100~250V AC

Output 12VDC 30A 360W / 24VDC 15A 360W

Product Features

- Compact size, easy for installation
- High transfer efficiency
- Wide input range (120V/230V)
- Endurable & stable quality
- 100% full loading, 100% burn-in tested
- Overload/short circuit protection

MAIN ELECTRICAL DATA

AC Input

Input Voltage	100~250V
Input Frequency	50/60Hz
Efficiency (Typ.)	83%
Input Current	230V: 3.2A max. 110V: 6.4A max.
Inrush Current	40A
Leakage Current	3mA/230VAC

DC Output

Output Voltage	12V	:	24V
Rated Current	30A	:	15A
Rated Power	360W	:	360W
Ripple & Noise (Max.)	<120mVp-p	:	<120mVp-p
Setup, Rise Time	1500ms/230VAC	:	1500ms/230VAC
Line Regulation	1%	:	1%
Load Regulation	1%	:	1%

Service Environment

Working Temp.	-30°C~60°C
Working Humidity	20~95%RH
Storage Temp.	-40°C~80°C
Storage Humidity	10~95%RH

Protection

Overload	Yes, Cut-off mode Output shuts down if over-loaded
Short Circuit	Yes, output shut down, recovers automatically after fault condition is removed

Safety

Safety Standard	EN 61347-2-13
Withstand Voltage	I/P-O/P:1500VAC/1min/<5mA
Isolation Resistance	I/P-O/P: >100M Ohms / 500VDC /25°C / 70%RH

Packaging Information

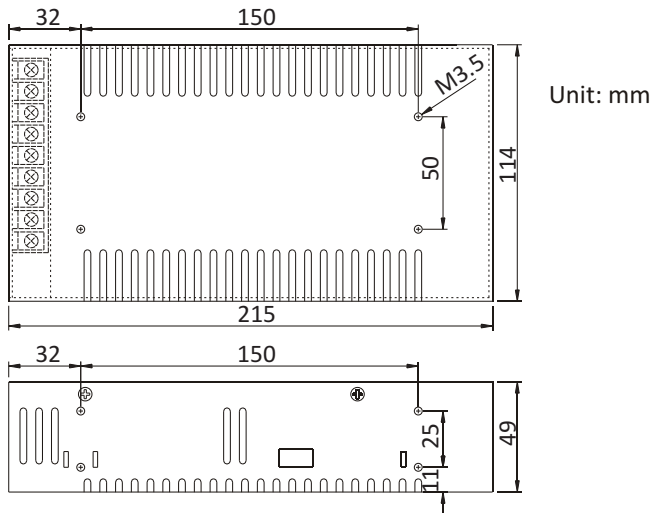
Product Dimension	215*114*49mm
Products Net Weight	970G
PCS/Carton(QTY)	40 PCS
Master Carton Size	48*31*26.5cm
G. Weight/ Carton	22KG

Installation Tips:

- Please identify the power supply's input and output before installation.
- Ensure correct output + & - wire connection. Power on after wire connection is done.
- To avoid voltage drop and loading capacity wasting on the output extension wire, please install the power supply to the loading as near as possible, if must use long extension wires, thicker wires and less loading wattage is required.
- The power supply to be installed at good ventilation and cooling environment.

The power behind your lights

Physical Drawing



Brief Information

Powermax™
Technology Inside

360W

Power Supply (C.V.)

Model JLV-12360K / JLV-24360K

Input 100~250V AC

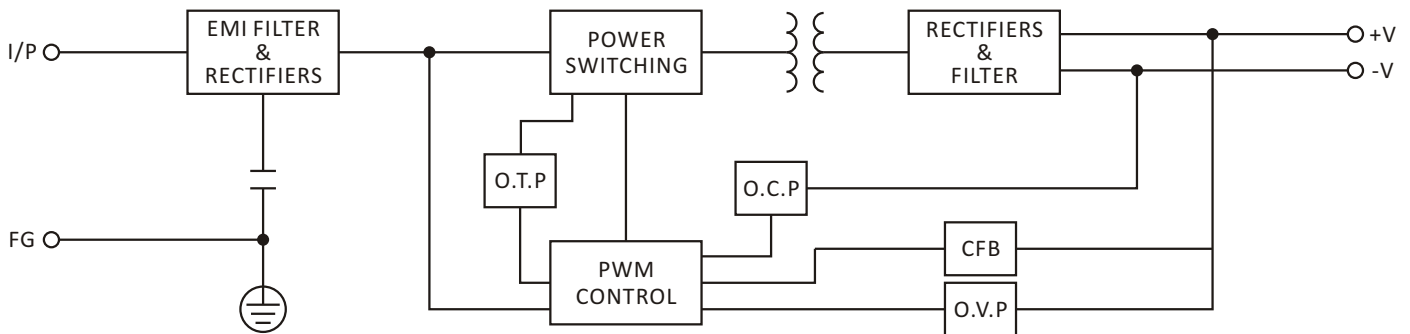
Output 12VDC 30A 360W / 24VDC 12.5A 360W

Input & Output:

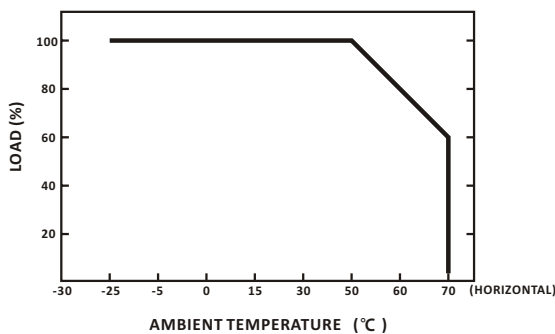
9500-9P Screw Terminals With Cover
inflamming retarding

Housing: Aluminium

Block Diagram



Derating Curve



Static Characteristics

